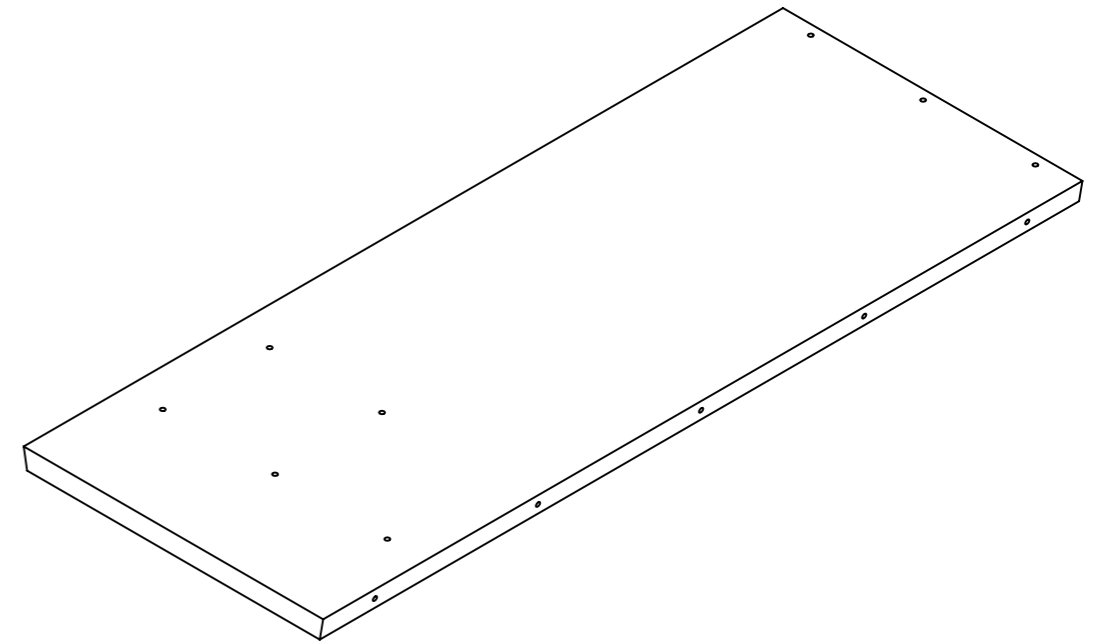
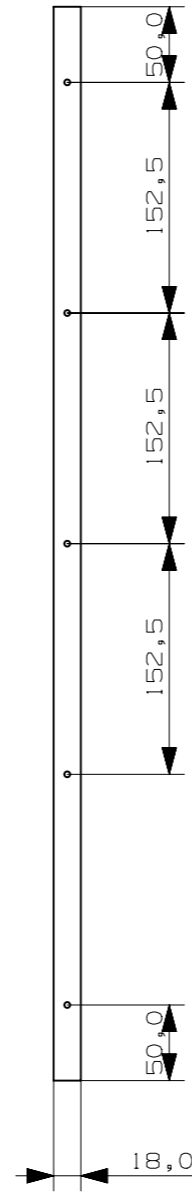
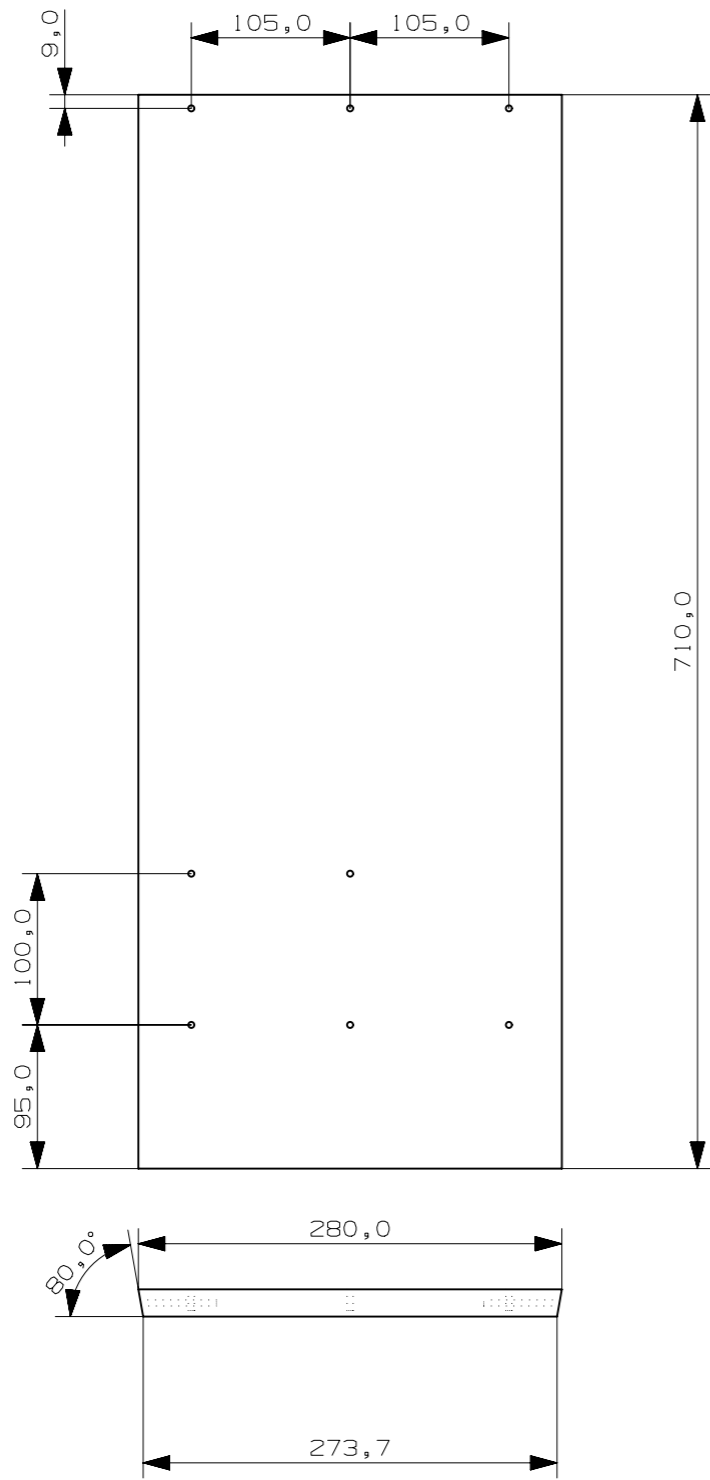
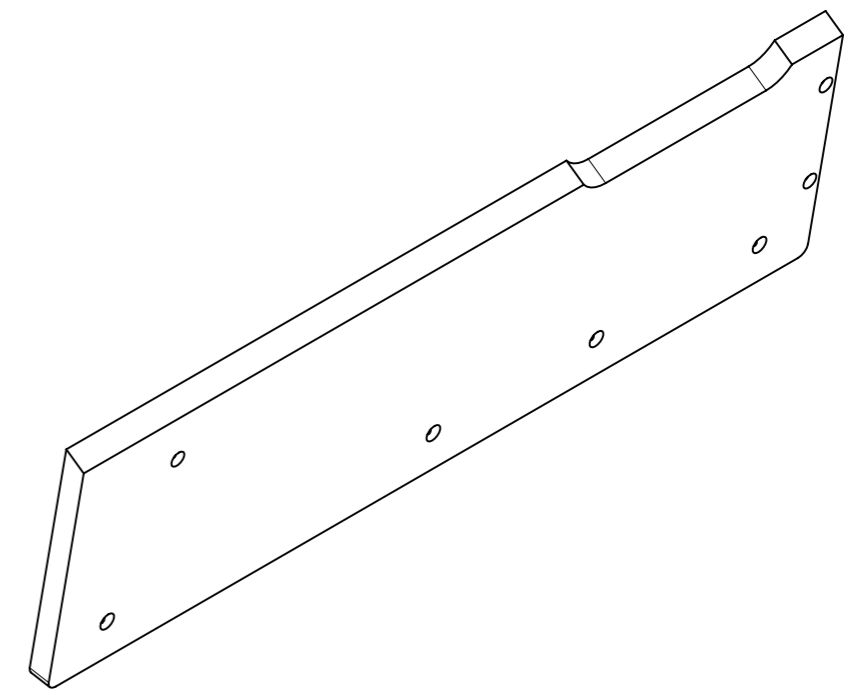
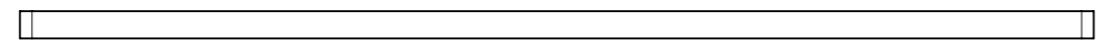
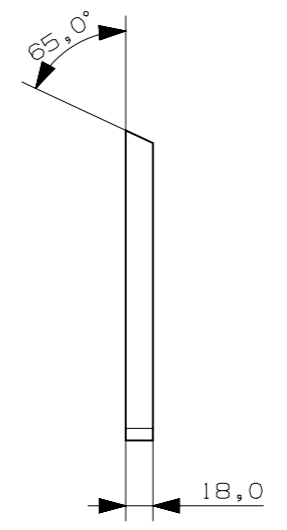
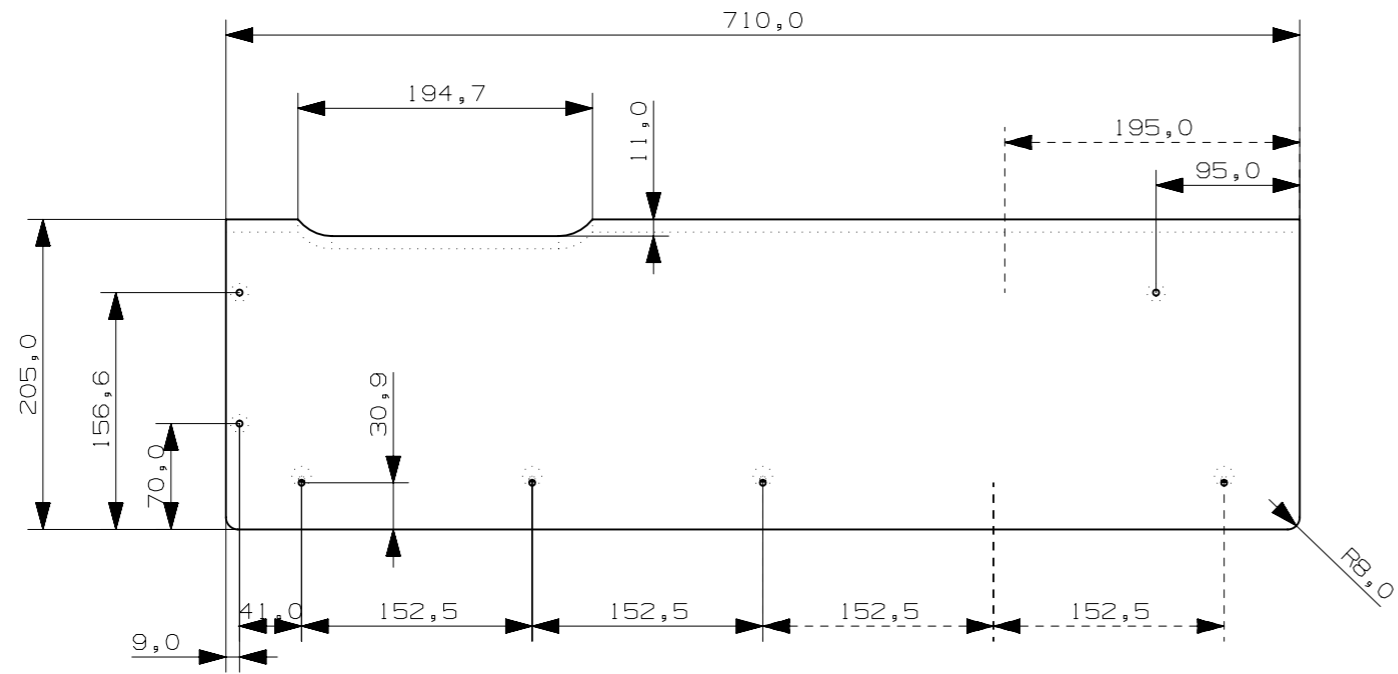


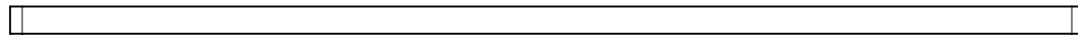
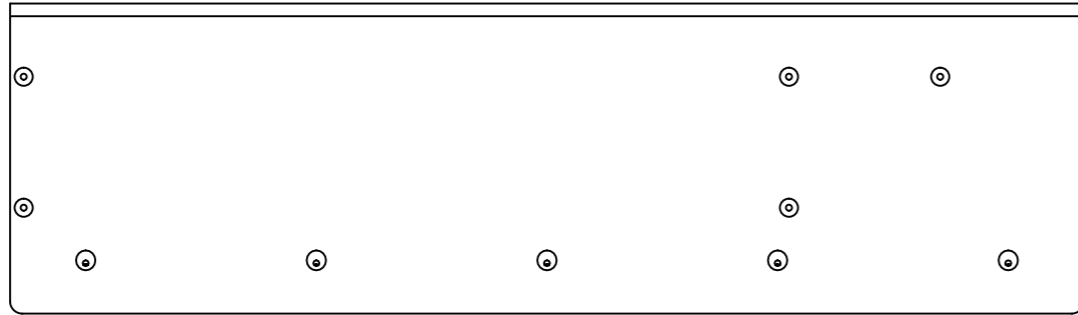
STEENUILKAST



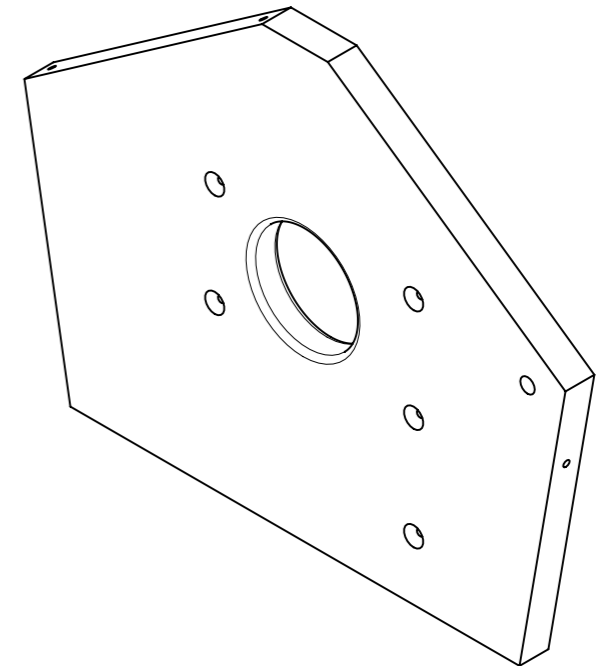
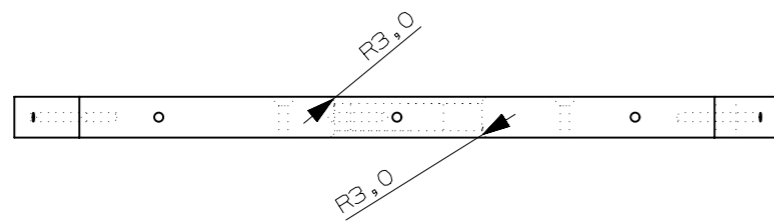
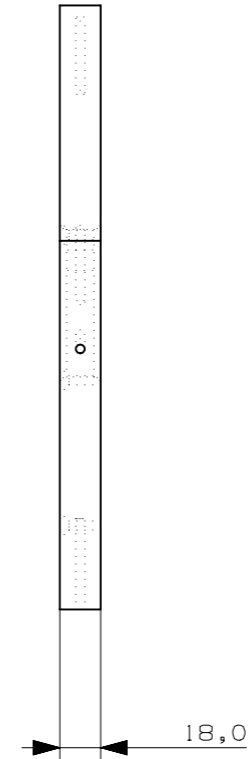
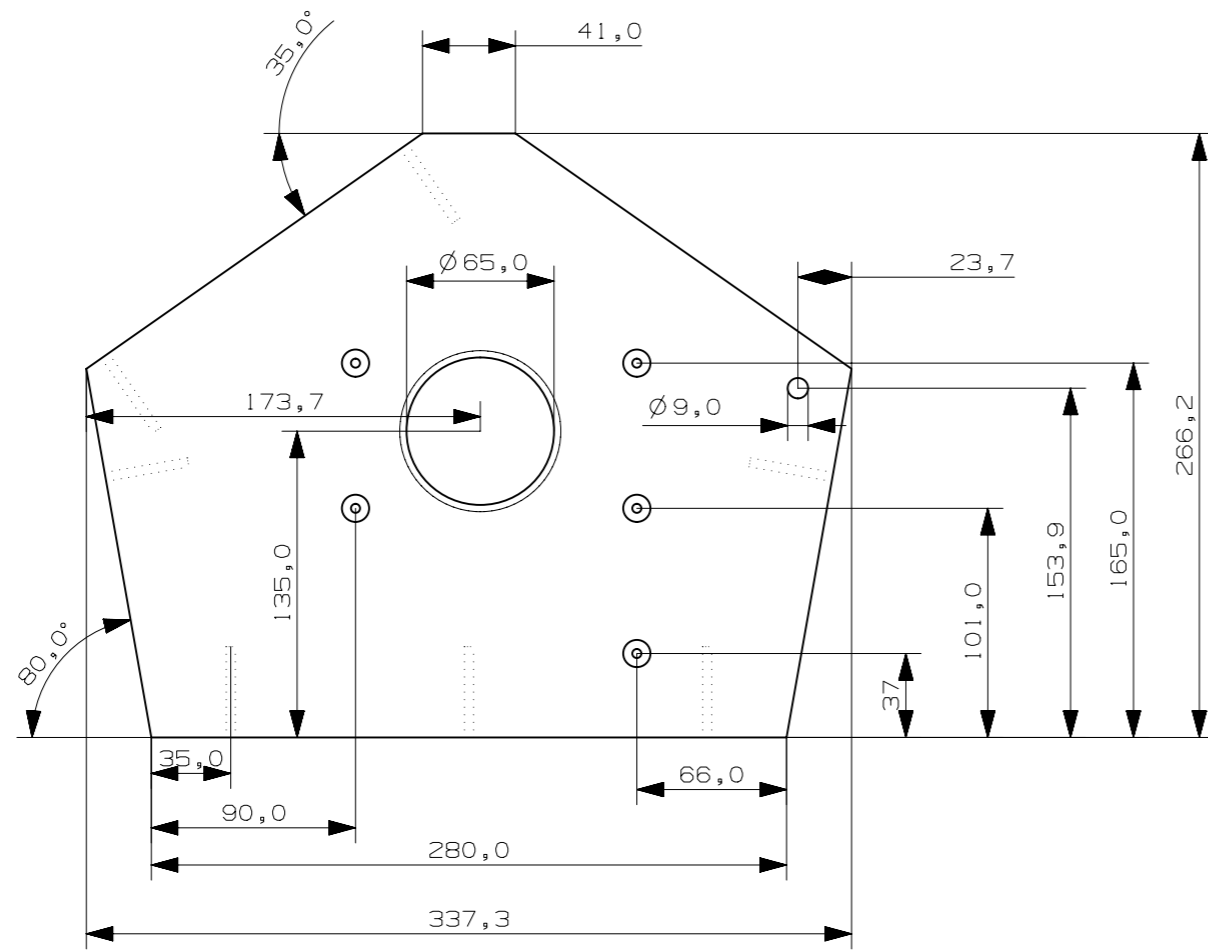
A MULTIPLEX



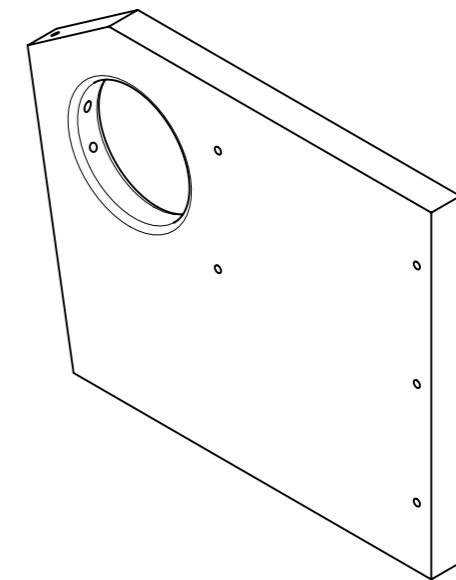
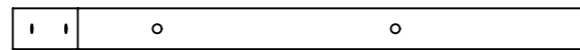
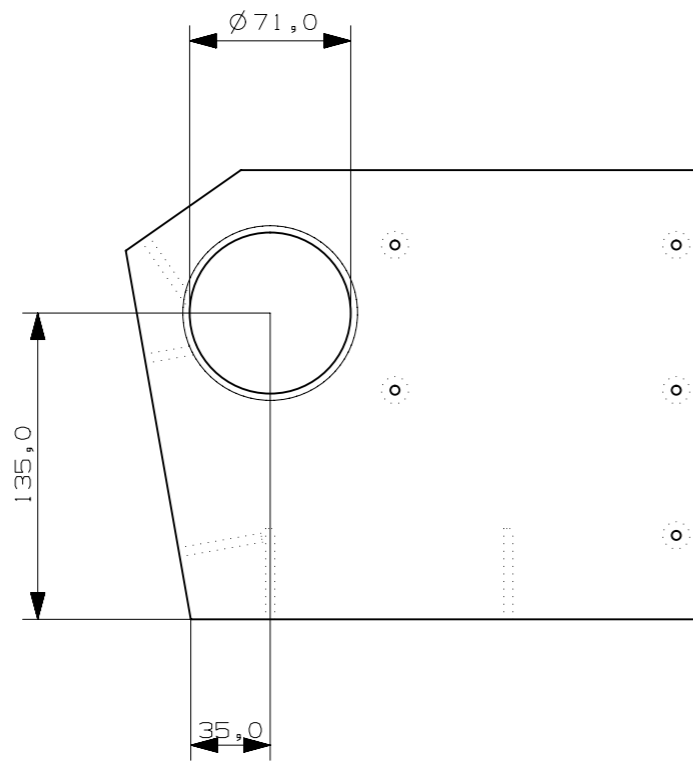
B MULTIPLEX



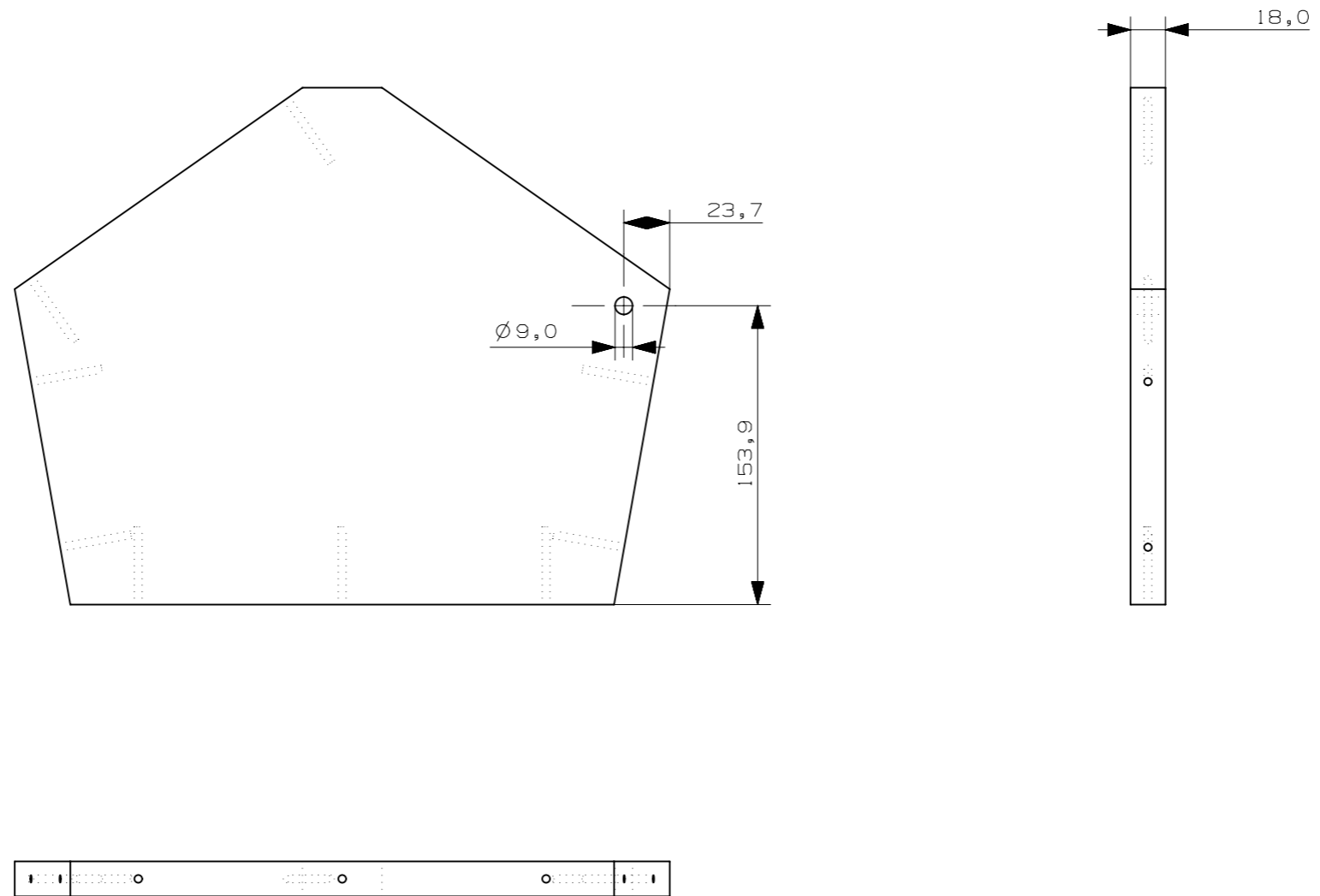
C MULTIPLEX
(same as B with straight top edge)



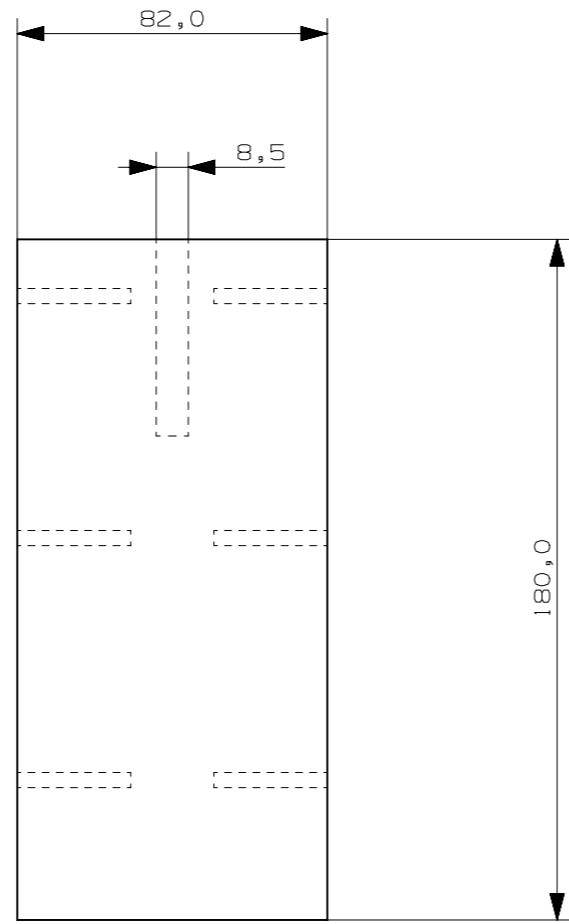
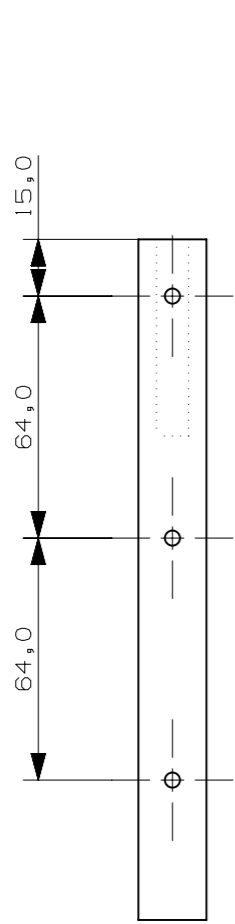
D MULTIPLEX



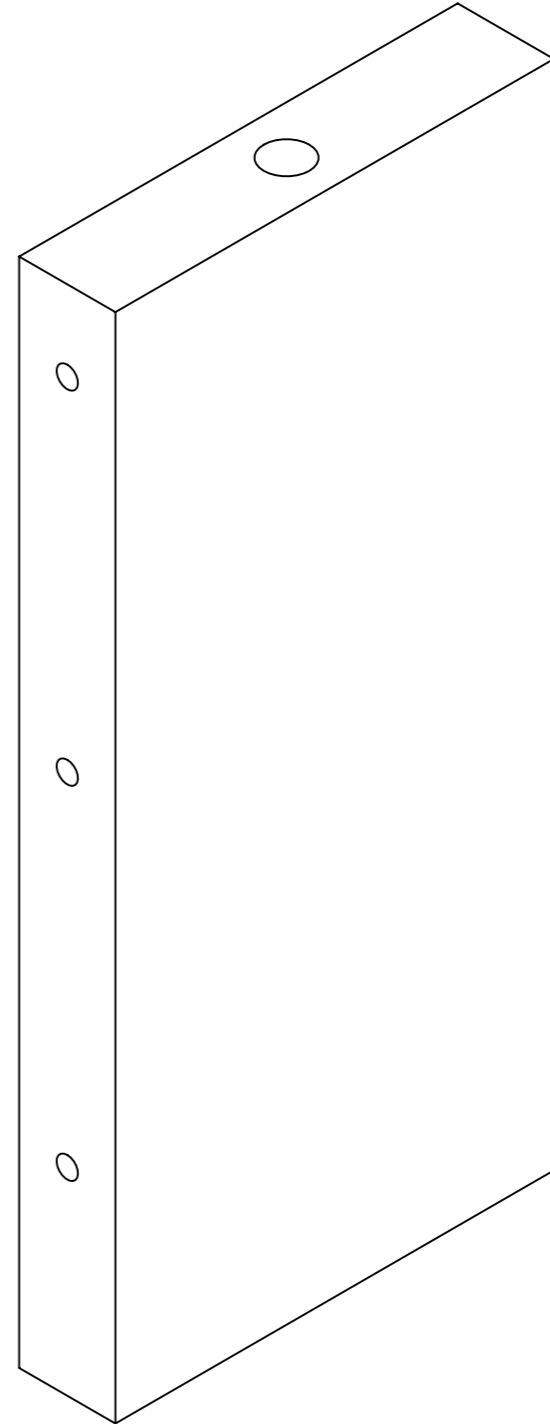
E MULTIPLEX

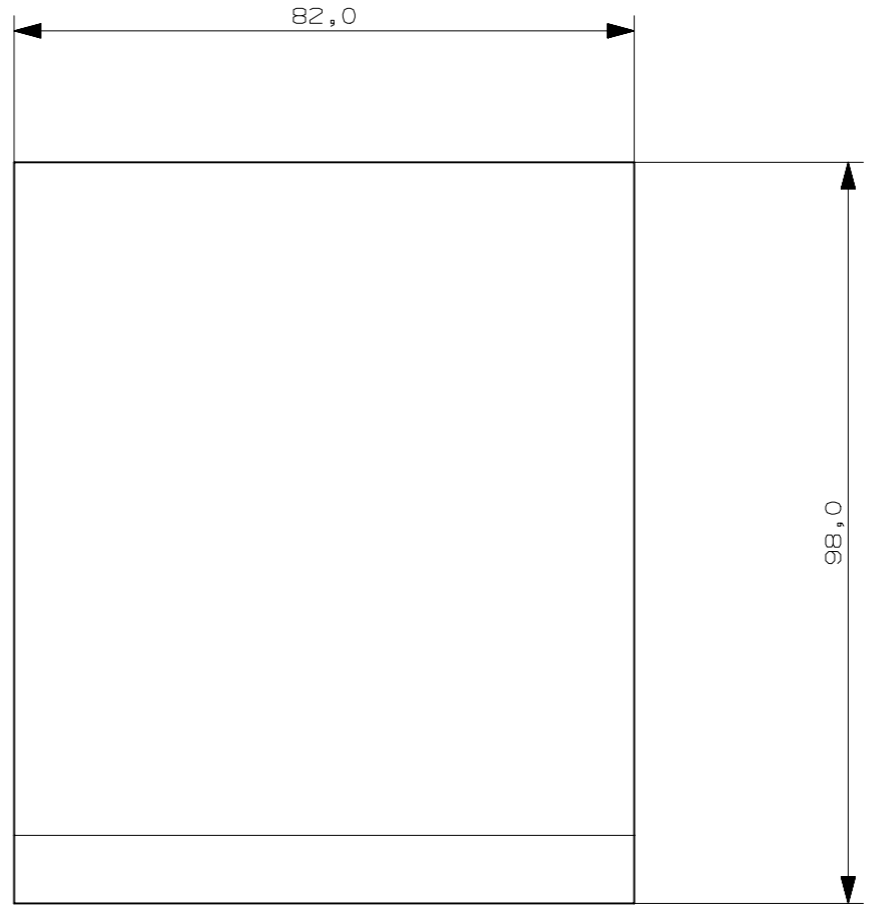
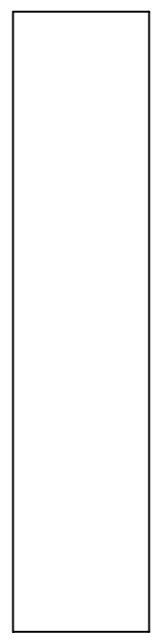
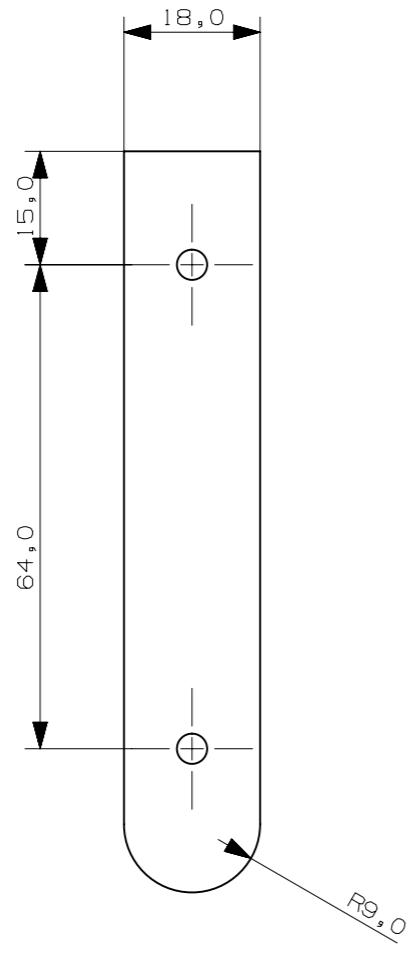


F MULTIPLEX

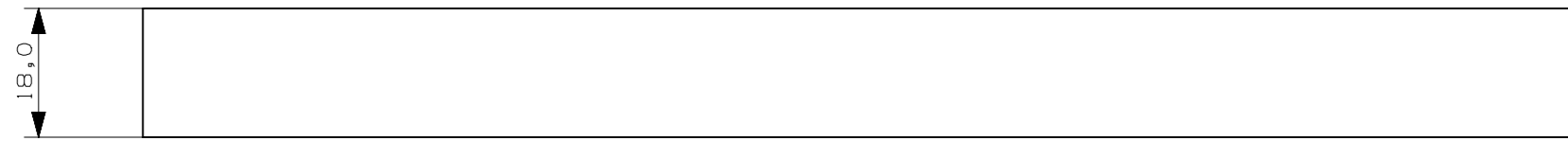
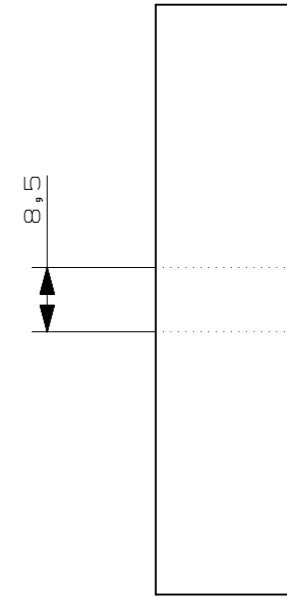
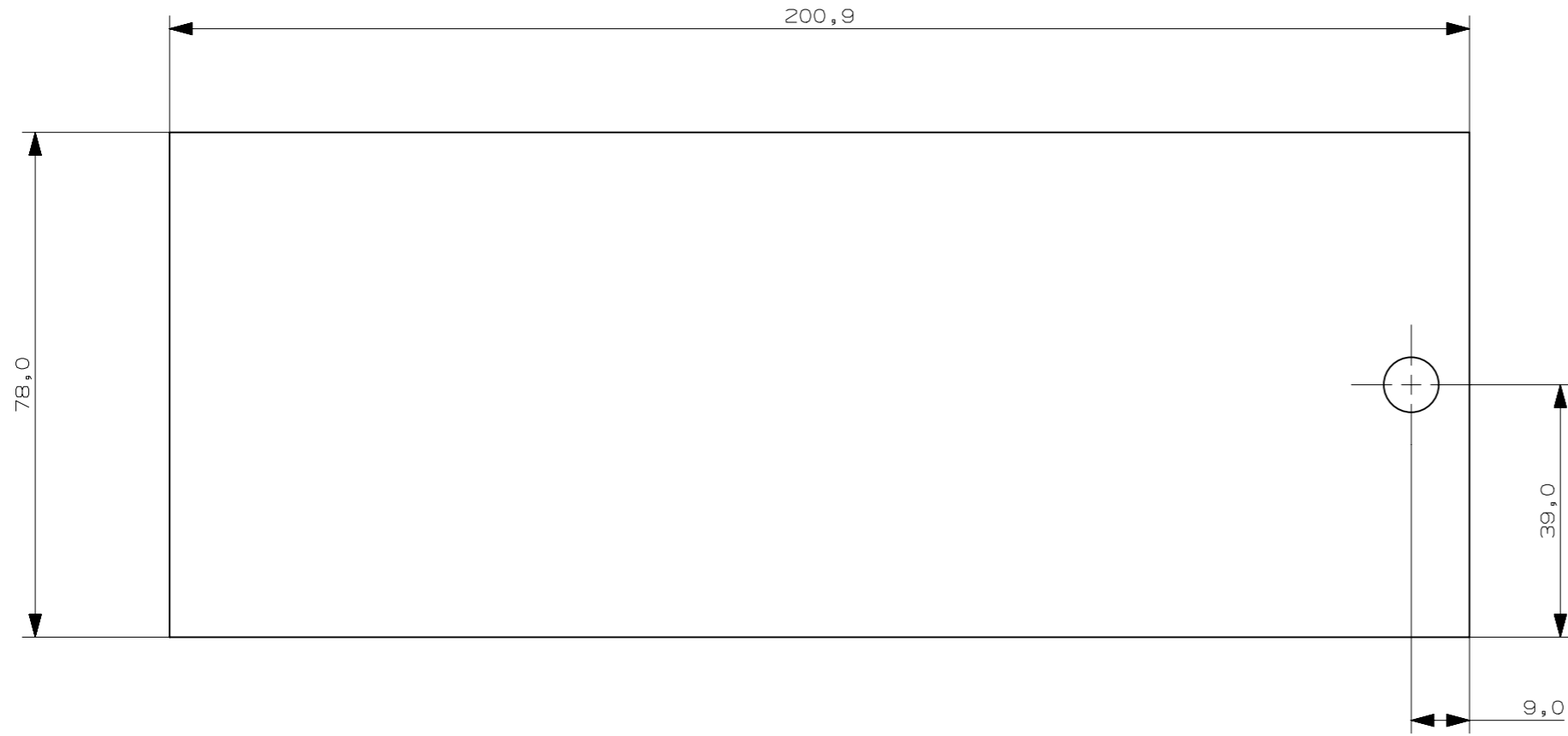


G MULTIPLEX

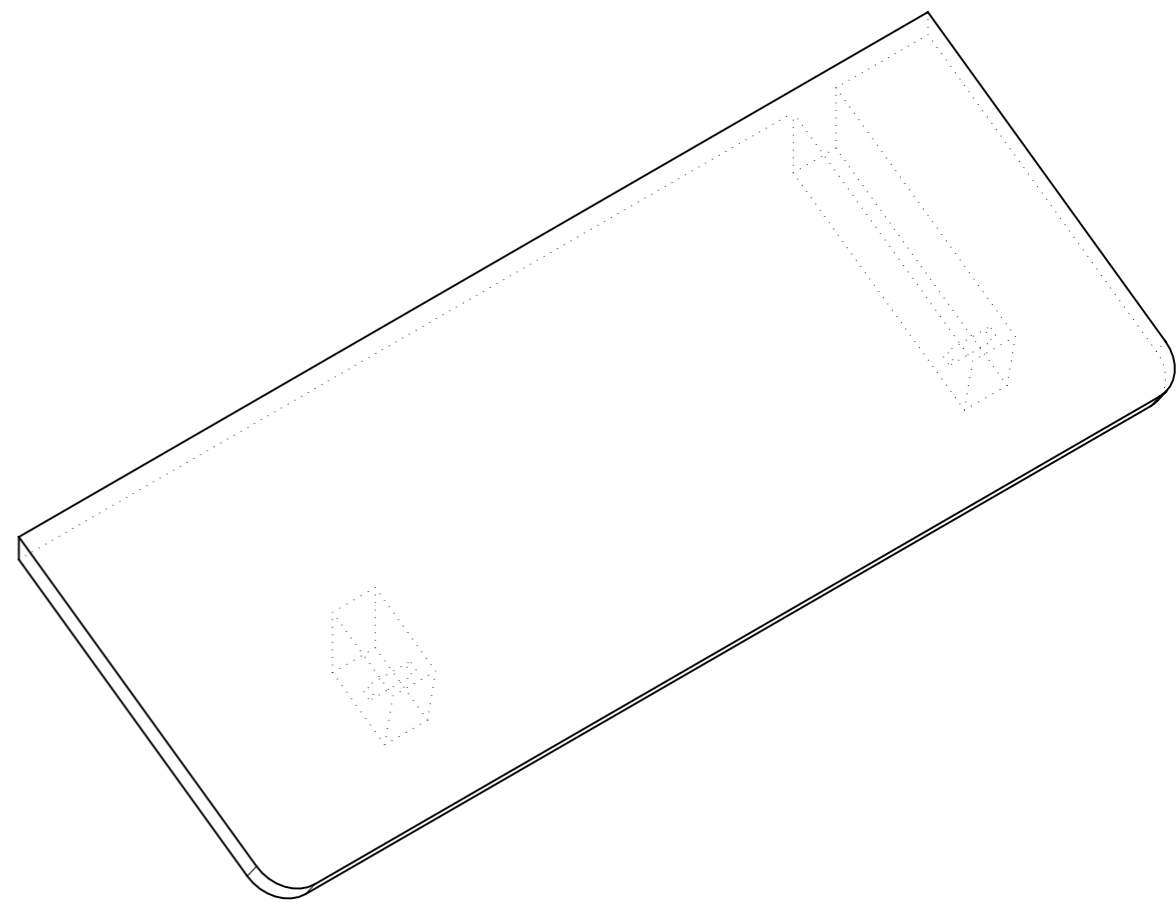
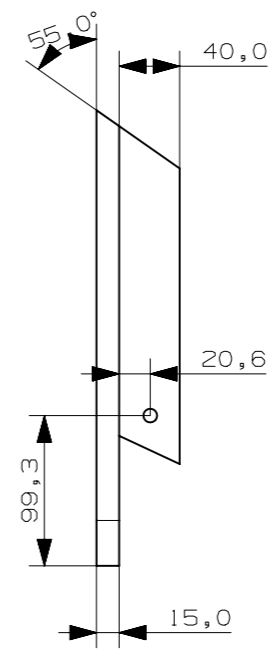
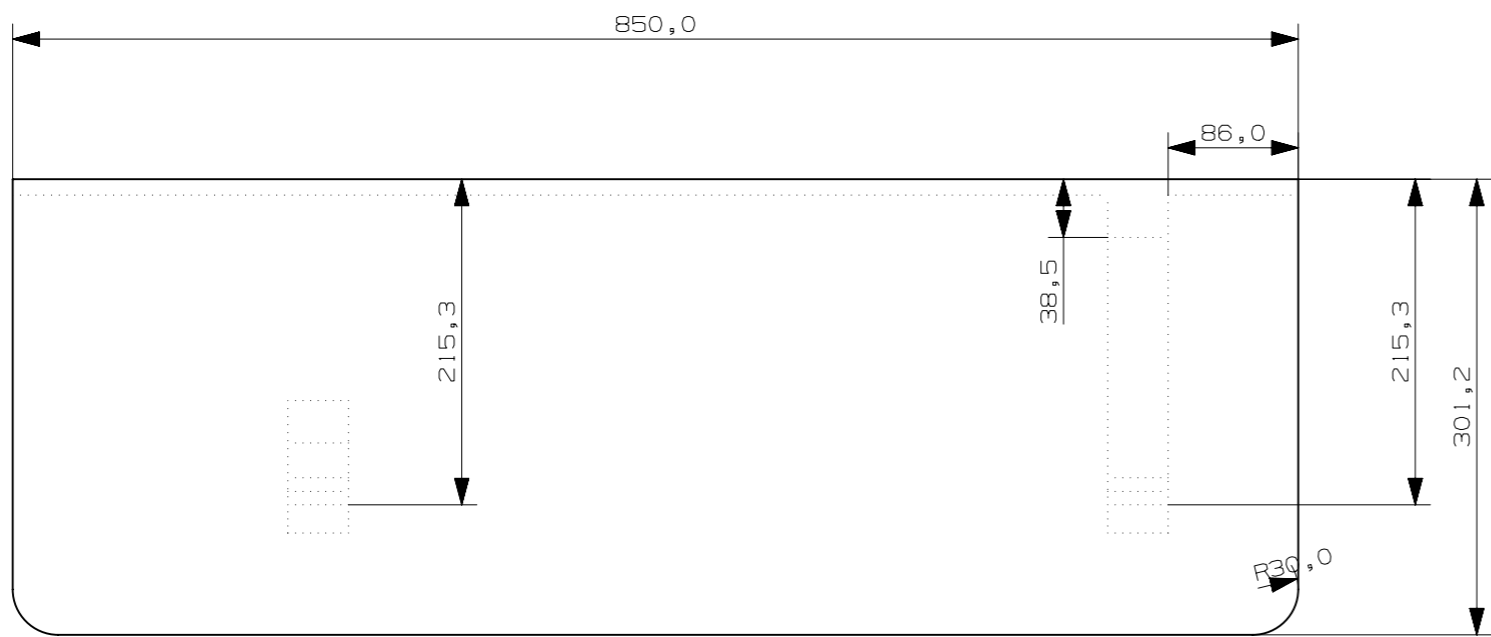




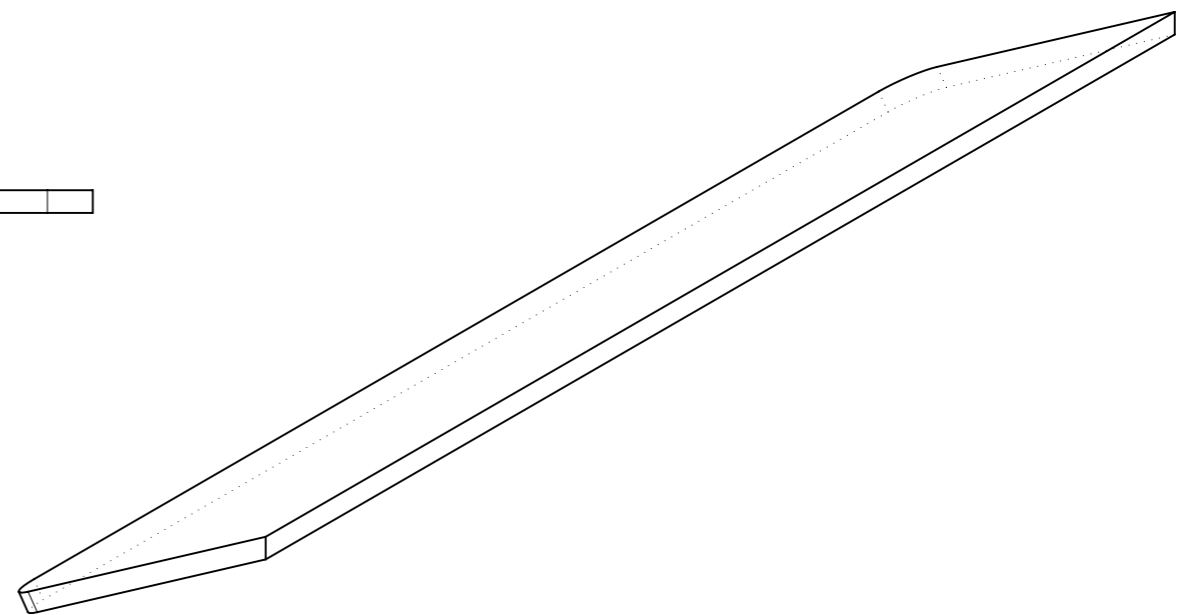
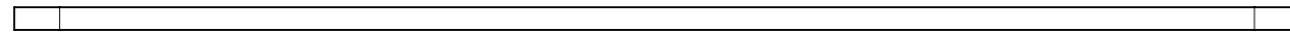
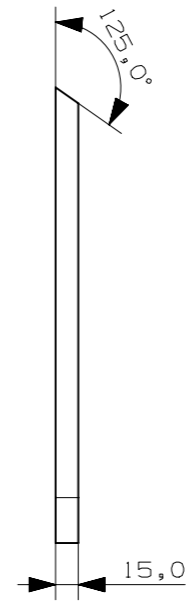
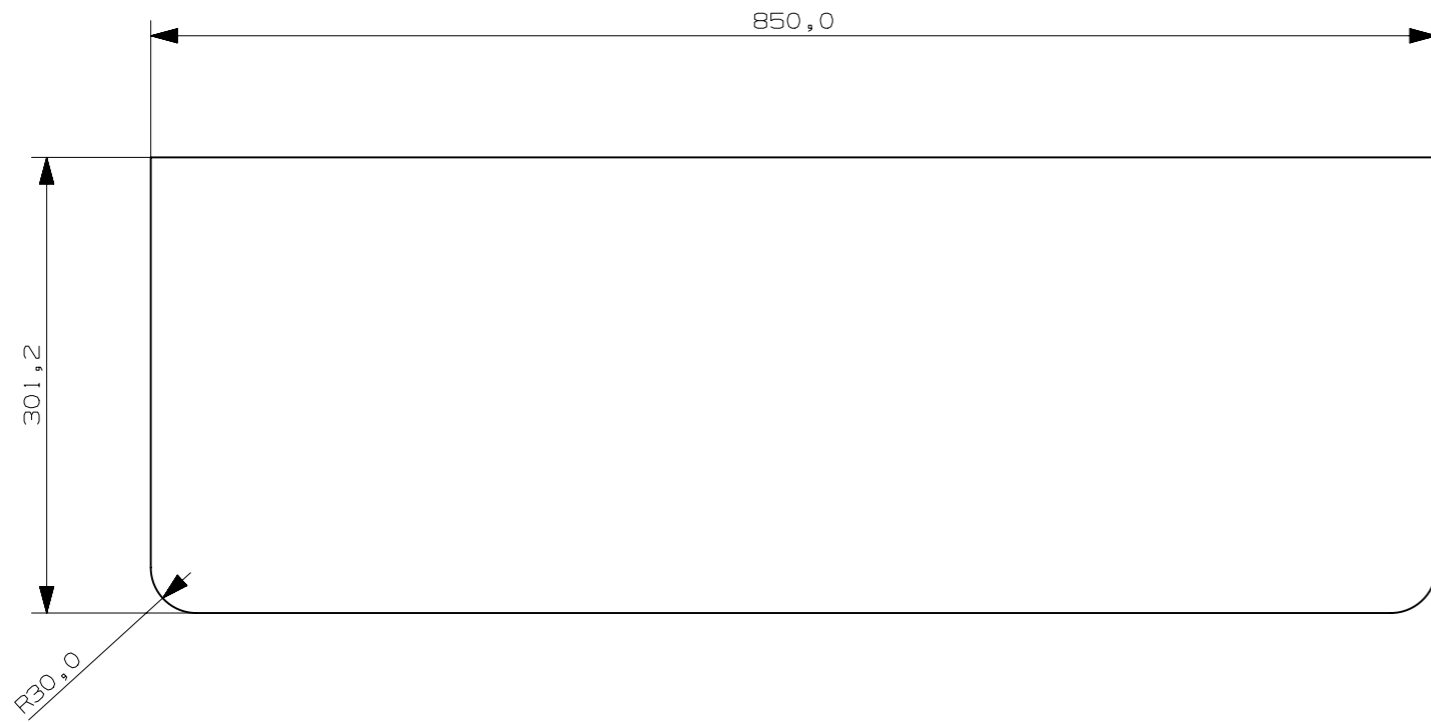
H MULTIPLEX



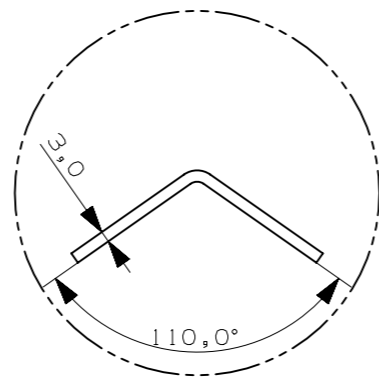
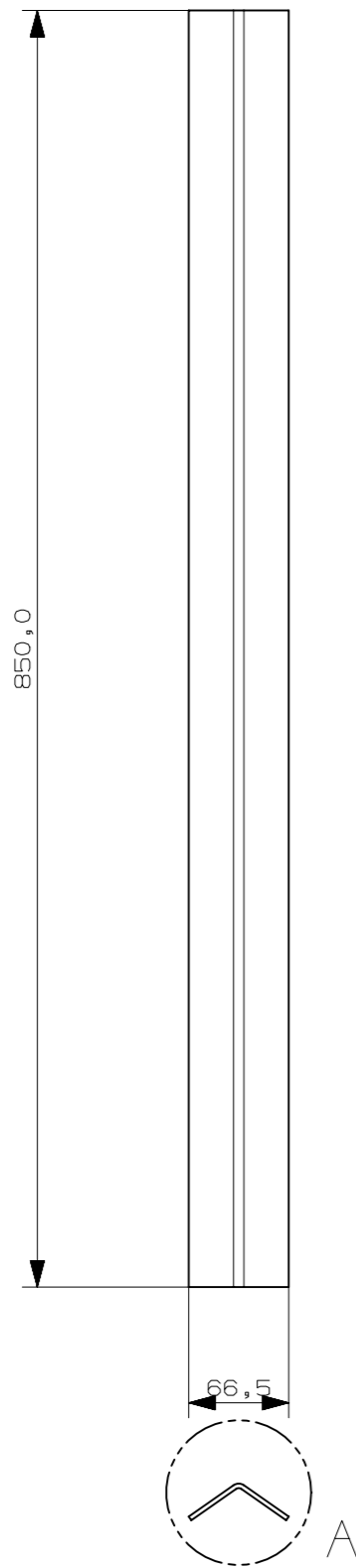
I MULTIPLEX



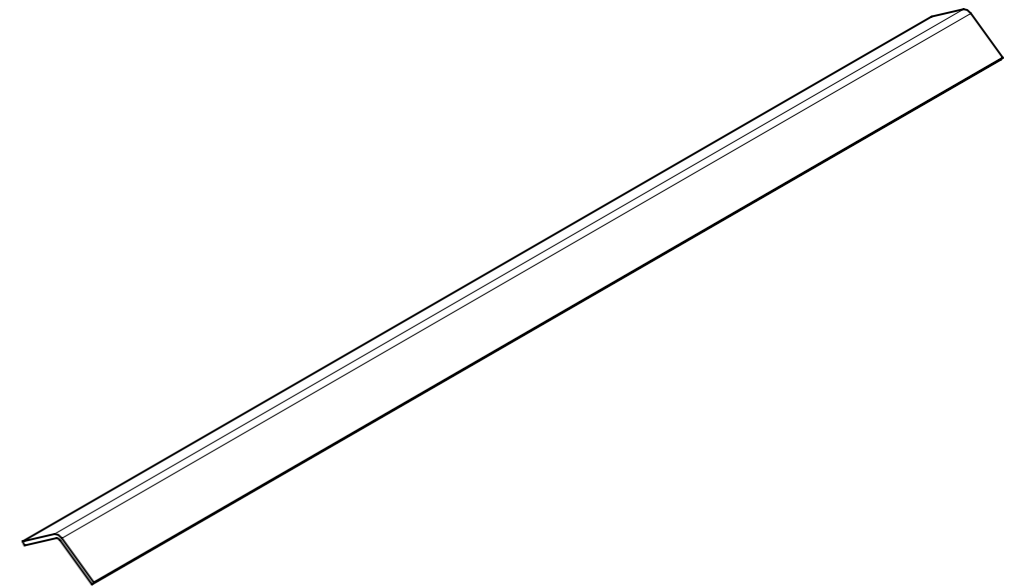
J MULTIPLEX



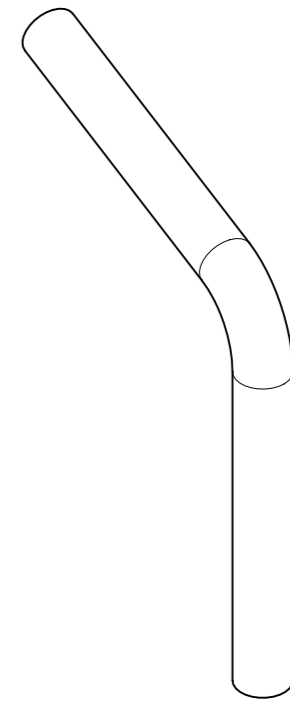
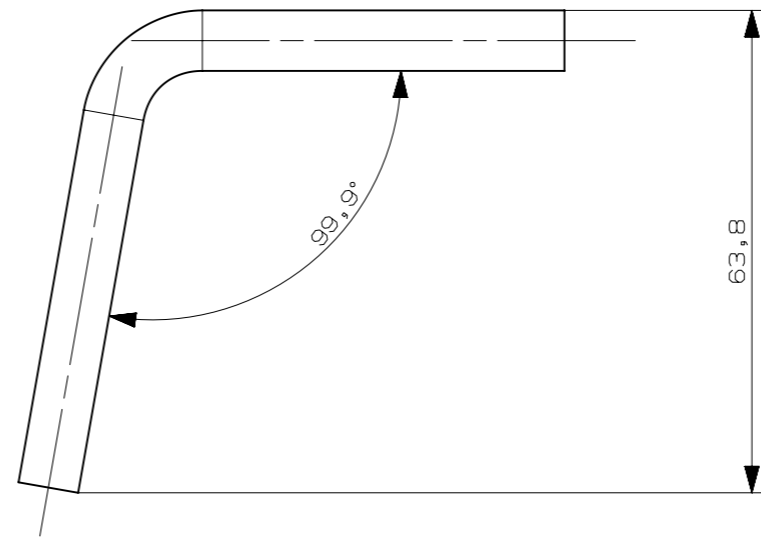
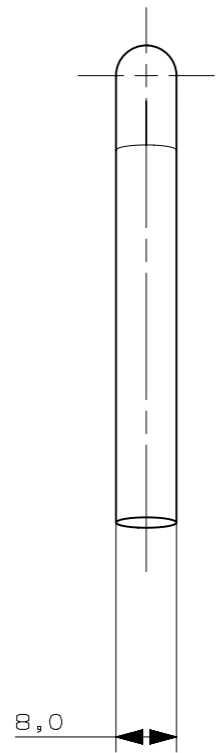
K MULTIPLEX



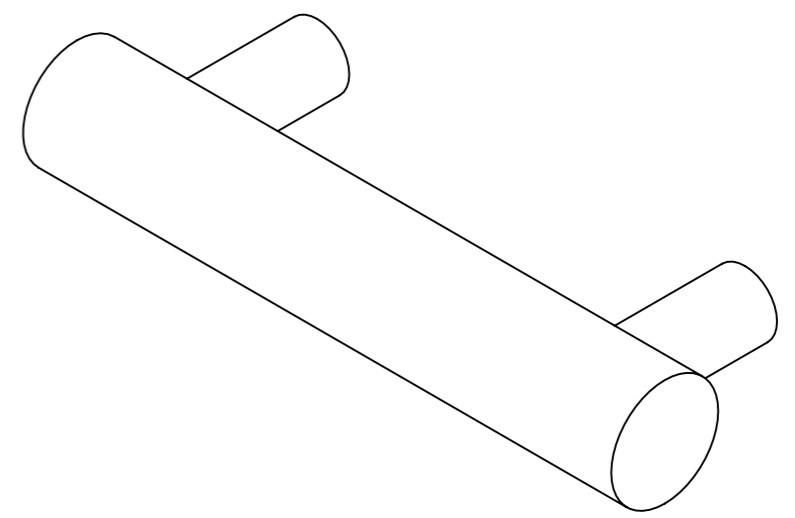
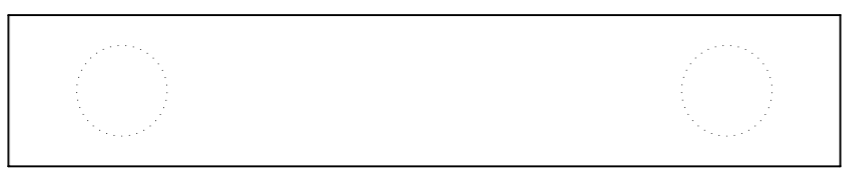
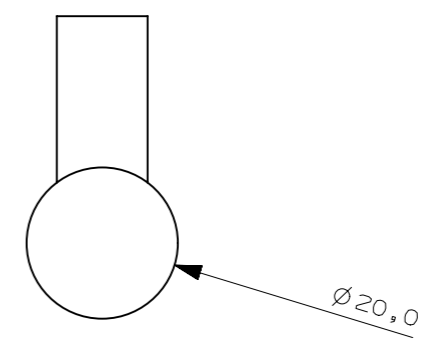
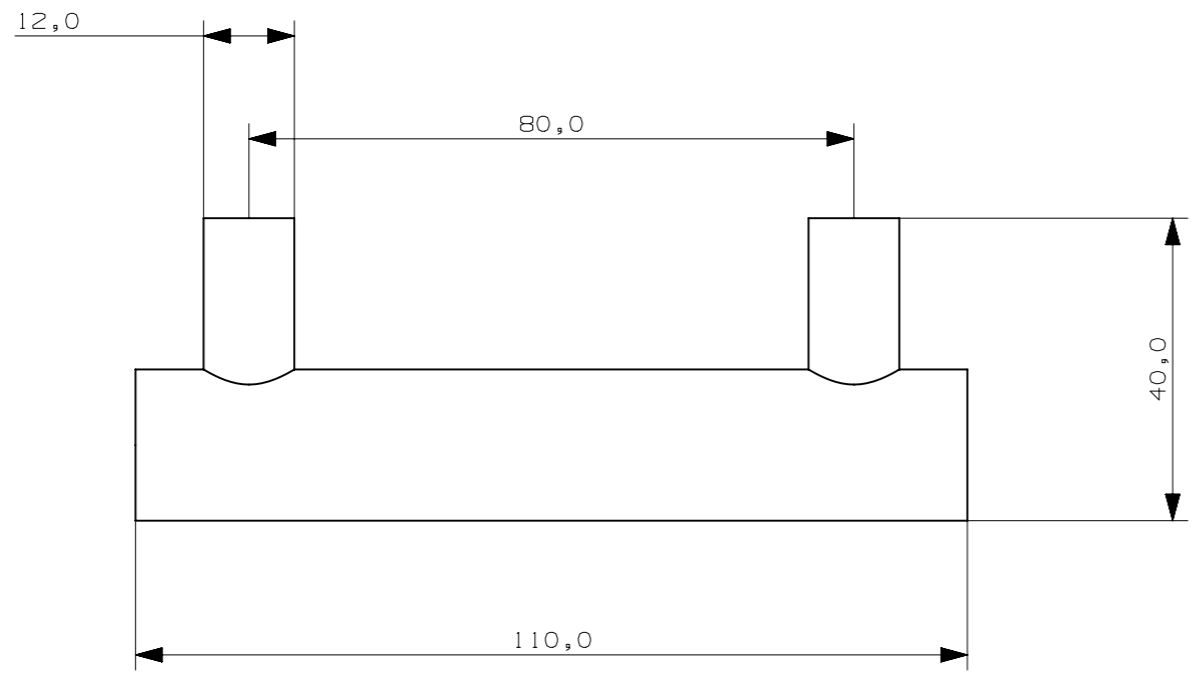
DETAIL A
SCALE 1:2



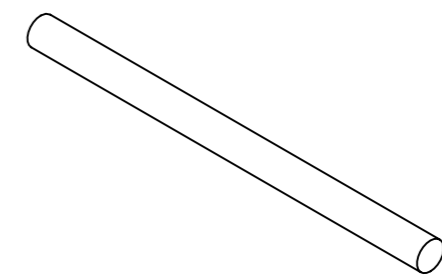
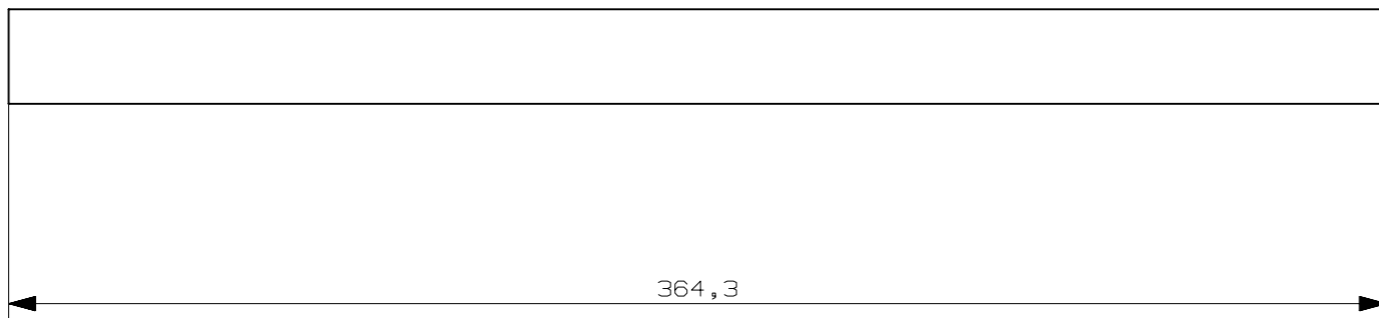
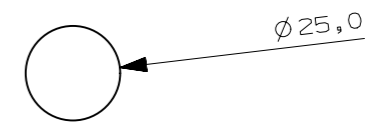
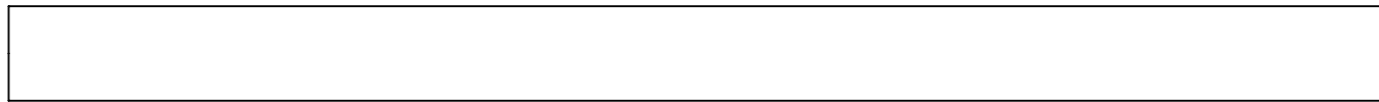
N ALUMINIUM



0 STAINLESS STEEL (3x)



P P I N E



Q P I N E